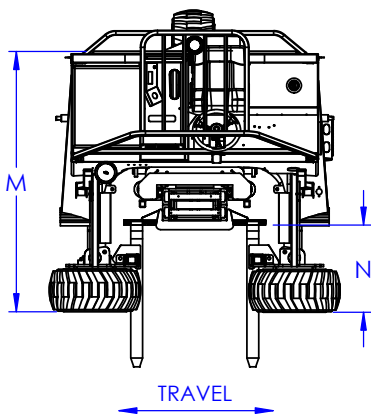
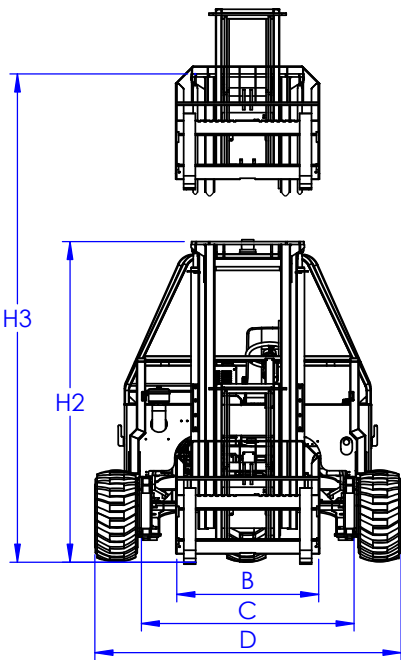
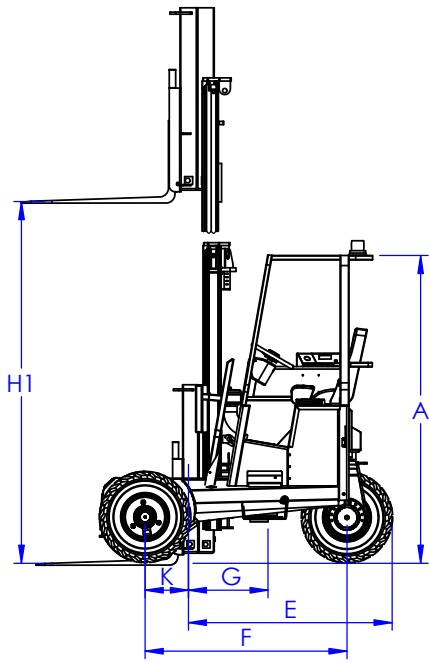


NAVIGATOR RT55 4-WAY NAV-REACH



| | | |
|----|---|--|
| | MODEL | RT55 4-WAY |
| | TYPE | 4-WAY |
| 1 | CAPACITY @ 24" LOAD CENTER | 5500 LBS |
| 2 | DIESEL ENGINE | 56 HP |
| 3 | ENGINE EMISSION COMPLIANCE | EPA Tier4 Final |
| 4 | MAXIMUM RPM | 2700 RPM |
| 5 | ELECTRICAL SYSTEM | 12 VOLT |
| 6 | DRIVE WHEELS | 3 |
| 7 | STEERING | STEER-BY-WIRE |
| 8 | TIRE TYPE | 31X13-16.5 (SS) 31X15.5-15 8-PLY (TG) |
| 9 | TIRE OUTSIDE DIAMETER (FRONT/REAR) | 31.5"/31" |
| 10 | TIRE WIDTH (FRONT/REAR) | 13"X15.5" |
| 11 | MAXIMUM SPEED | 8 MPH |
| 12 | MAXIMUM GRADABILITY (4-WAY MODE) | 30% (15%) |
| 13 | TURNING RADIUS | 78" |
| 14 | UNLADEN WEIGHT | 8450 |
| 15 | WORKING PRESSURE (ATTACHMENTS) | 3100 PSI |
| 16 | TILT OF MAST (FORWARD/BACKWARD) | 10 ° / 10° |
| 17 | SIDESHIFT | 8" |
| 18 | FORK SECTION | 48 X 6 X 2 |
| 19 | MAST CARRIAGE TRAVEL | 29" |
| A | HEIGHT TO TOP OF CANOPY | 103-1/4" |
| B | FORK CARRIAGE WIDTH (CLASS) | 48" |
| C | FRAME OPENING | 65-1/4" |
| D | OVERALL WIDTH (4-WAY MODE) | 101-1/2" |
| E | OVERHANG | 64" |
| F | WHEELBASE | 69" |
| G | CENTER OF GRAVITY (FROM FORK FACE) | 30.5" |
| H1 | LIFT HEIGHT | 141-3/8" |
| H2 | MAST HEIGHT - COLLAPSED | 109" |
| H3 | MAST HEIGHT - RAISED | 178.5" |
| J | GROUND CLEARANCE | 7-1/2" |
| K | FACE OF FORK TO CENTER OF FRONT TIRE | 16" |
| L | ANSI STANDARD | B56.14 |
| M | OVERALL LENGTH (4-WAY MODE) | 94" |
| N | FACE OF TIRE TO FACE OF FORK (4-WAY MODE) | 33" |

The above specifications are not binding upon the manufacturer and may be changed without prior notice.
Weights may vary, depending on tire and/or fork options.

Navigator Truck Mounted Forklifts
7399 Beatline Road
Long Beach, MS 39560 USA
tel 1.228.864.6293
www.NavigatorForklift.com



For more information, contact your local Navigator dealer.