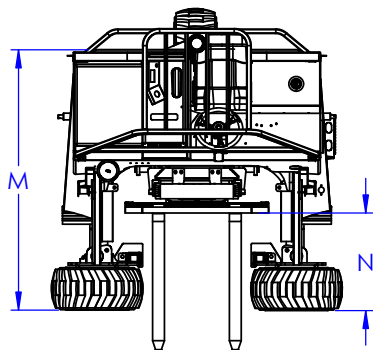
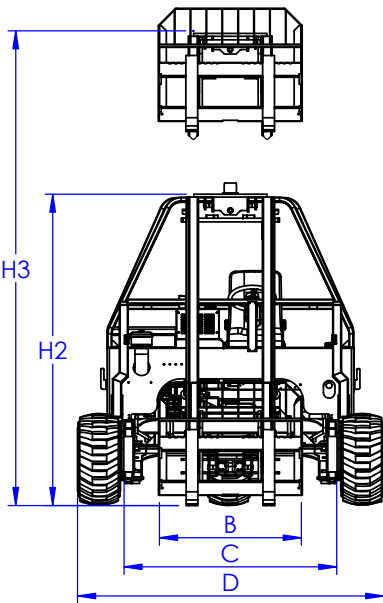
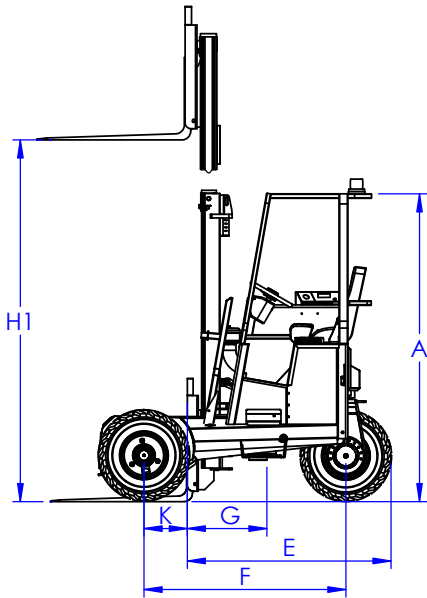


# NAVIGATOR RT65 4-WAY



	MODEL	RT65 4-WAY
	TYPE	4-WAY
1	CAPACITY @ 24" LOAD CENTER	6500 LBS
2	DIESEL ENGINE	56 HP
3	ENGINE EMISSION COMPLIANCE	EPA Tier4 Final
4	MAXIMUM RPM	2700 RPM
5	ELECTRICAL SYSTEM	12 VOLT
6	DRIVE WHEELS	3
7	STEERING	
8	TIRE TYPE	31X13-16.5 (SS) 31X15.5-15 8-PLY (TG)
9	TIRE OUTSIDE DIAMETER (FRONT/REAR)	31.5"/31"
10	TIRE WIDTH (FRONT/REAR)	13"X15.5"
11	MAXIMUM SPEED	8 MPH
12	MAXIMUM GRADABILITY (4-WAY MODE)	30% (15%)
13	TURNING RADIUS	78"
14	UNLADEN WEIGHT	
15	WORKING PRESSURE (ATTACHMENTS)	3100 PSI
16	TILT OF MAST (FORWARD/BACKWARD)	10° / 10°
17	SIDESHIFT	8"
18	FORK SECTION	48 X 6 X 2
19	MAST CARRIAGE TRAVEL	29"
A	HEIGHT TO TOP OF CANOPY	103 1/4"
B	FORK CARRIAGE WIDTH (CLASS)	48"
C	FRAME OPENING	65 1/4"
D	OVERALL WIDTH (4-WAY MODE)	101 1/2"
E	OVERHANG	60"
F	WHEELBASE	69"
G	CENTER OF GRAVITY (FROM FORK FACE)	
H1	LIFT HEIGHT	143 1/2"
H2	MAST HEIGHT - COLLAPSED	105"
H3	MAST HEIGHT - RAISED	183"
J	GROUND CLEARANCE	7 1/2"
K	FACE OF FORK TO CENTER OF FRONT TIRE	14"
L	ANSI STANDARD	B56.14
M	OVERALL LENGTH (4-WAY MODE)	94"
N	FACE OF TIRE TO FACE OF FORK (4-WAY MODE)	31"

The above specifications are not binding upon the manufacturer and may be changed without prior notice. Weights may vary, depending on tire and/or fork options.

**Navigator Truck Mounted Forklifts**  
**7399 Beatline Road**  
**Long Beach, MS 39560 USA**  
**tel 1.228.864.6293**  
**www.NavigatorForklift.com**



For more information, contact your local Navigator dealer.