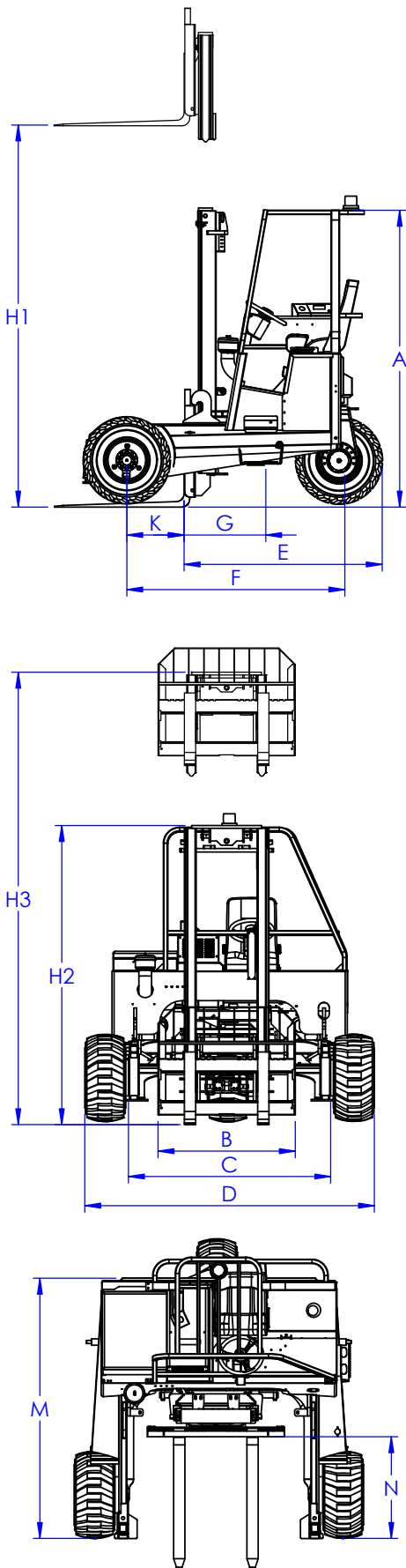


NAVIGATOR RT55 G2



	MODEL	RT55 G2
	TYPE	ALL WHEEL DRIVE
1	CAPACITY @ 24" LOAD CENTER	5500 LBS
2	DIESEL ENGINE	56 HP
3	ENGINE EMISSION COMPLIANCE	EPA Tier4 Final
4	MAXIMUM RPM	2700 RPM
5	ELECTRICAL SYSTEM	12 VOLT
6	DRIVE WHEELS	3
7	STEERING	HYDRAULIC
8	TIRE TYPE	31X13-16.5 (SS) 31X15.5-15 8-PLY (TG)
9	TIRE OUTSIDE DIAMETER (FRONT/REAR)	31.5"/31"
10	TIRE WIDTH (FRONT/REAR)	13"X15.5"
11	MAXIMUM SPEED	8 MPH
12	MAXIMUM GRADABILITY (4-WAY MODE)	30% (15%)
13	TURNING RADIUS	78"
14	UNLADEN WEIGHT	7400
15	WORKING PRESSURE (ATTACHMENTS)	3100 PSI
16	TILT OF MAST (FORWARD/BACKWARD)	10° / 10°
17	SIDESHIFT	8"
18	FORK SECTION	48 X 6 X 2
19	MAST CARRIAGE TRAVEL	29"
A	HEIGHT TO TOP OF CANOPY	103-1/4"
B	FORK CARRIAGE WIDTH (CLASS)	48"
C	FRAME OPENING	65-1/4"
D	OVERALL FRAME WIDTH	101-1/2"
E	OVERHANG	60"
F	WHEELBASE	80"
G	CENTER OF GRAVITY (FROM FORK FACE)	24"
H1	LIFT HEIGHT	143-1/2"
H2	MAST HEIGHT - COLLAPSED	105"
H3	MAST HEIGHT - RAISED	183"
J	GROUND CLEARANCE	16"
K	FACE OF FORK TO CENTER OF FRONT TIRE	15-1/2"
L	ANSI STANDARD	B56.14
M	OVERALL LENGTH	92"
N	FRONT FACE OF TIRE TO FACE OF FORK	31"

The above specifications are not binding upon the manufacturer and may be changed without prior notice. Weights may vary, depending on tire and/or fork options.

For more information, contact your local Navigator dealer.

Navigator Truck Mounted Forklifts
 7399 Beatline Road
 Long Beach, MS 39560 USA
 Tel: 1.228.864.6293
www.NavigatorForklift.com



