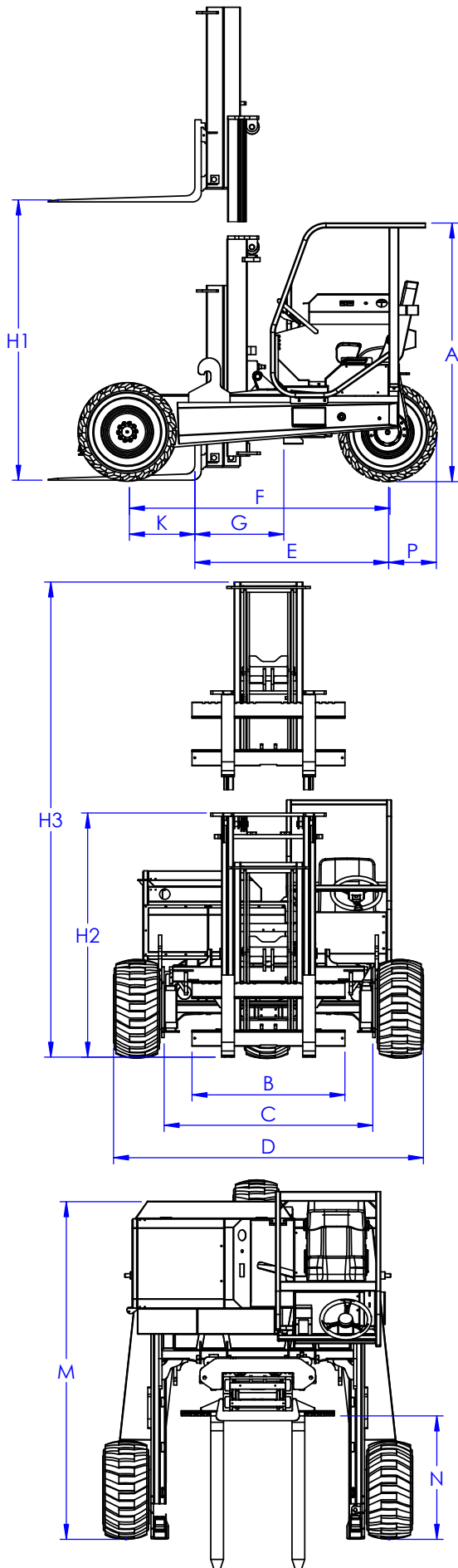


# NAVIGATOR RT6000 LP



	MODEL	RT6000LP
1	CAPACITY @ 24" LOAD CENTER	6000
2	DIESEL ENGINE	KOHLER
3	ENGINE EMISSION COMPLIANCE	TIER 4
4	MAXIMUM RPM	2700
5	ELECTRICAL SYSTEM	12V
6	STEERING	HYDRO
7	TIRE TYPE	BAR
8	TIRE OUTSIDE DIAMETER ( FRONT / REAR )	31"
9	TIRE WIDTH ( FRONT / REAR )	31 X 13.5 / 31 / 15.5
10	MAXIMUM SPEED	8MPH
11	TURNING RADIUS	84"
12	UNLADEN WEIGHT (approximate)	7200
13	WORKING PRESSURE ( ATTACHMENTS )	3100
14	TILT OF MAST ( FORWARD / BACKWARD )	8°
15	SIDESHIFT DISTANCE	5"
16	FORK SECTION	2 X 6 X 48
17	MAST CARRIAGE TRAVEL	37"
A	HEIGHT TO TOP OF CANOPY	79-1/2"
B	FORK CARRIAGE WIDTH ( CLASS )	48"
C	FRAME OPENING	57-1/2"
D	OVERALL FRAME WIDTH	95"
E	OVERHANG	75-1/2"
F	WHEELBASE	82"
G	CENTER OF GRAVITY ( FROM FORK FACE )	20-1/2"
H1	LIFT HEIGHT	96"
H2	MAST HEIGHT - COLLAPSED	76"
H3	MAST HEIGHT - RAISED	156"
J	GROUND CLEARANCE	13"
K	FACE OF FORK TO CENTER OF FRONT TIRE	18-1/2"
L	ANSI STANDARD	1356.14
M	OVERALL LENGTH	108"
N	FRONT FACE OF TIRE TO FACE OF FORK	37"
P	FREE LIFT	10"

The above specifications are not binding upon the manufacturer and may be changed without prior notice. Weights may vary, depending on tire and/or fork options.

Navigator Truck Mounted Forklifts  
 7399 Beatline Road  
 Long Beach, MS 39560 USA  
 tel 1.228.864.6293  
[www.NavigatorForklift.com](http://www.NavigatorForklift.com)



For more information, contact your local Navigator dealer.